



H16 TPX

Exceptional productivity

- Full proportional controls and simultaneous boom functions
- Continuous 360° turntable rotation

Outstanding rough terrain driving features

- Hydraulic differential lock
- 4 wheel steering
- 35 cm ground clearance

10.7 and 12.3 metre outreach provides a large working envelope



Haulotte 
GROUP

More than lifting

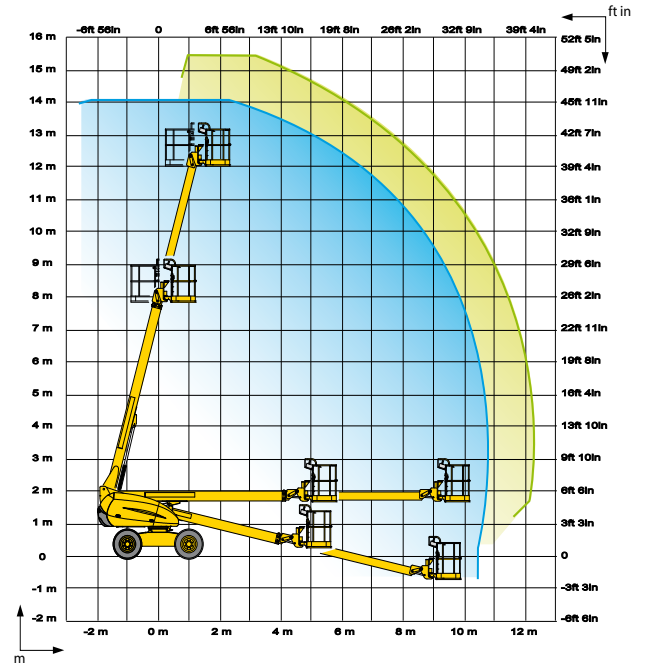




TECHNICAL DATA

H16 TPX

Working height	15.44 m
Platform height	13.44 m
Horizontal outreach	12.3 m
Lift capacity	230 kg
F x G Platform size	1.8 x 0.8 m
A Length	8.43 m
H Length - transport	6.72 m
B Overall width	2.3 m
C Height - stowed	2.2 m
J Height - transport	2.5 m
Vertical jib rotation	140° (+70/-70)
Platform rotation	180° (+90/-90)
Boom rotation angle	0°
Turntable rotation	360°
Tailswing	85 cm
D Wheelbase	2 m
E Ground clearance	35 cm
Tilt	5°
Drive speed	0,8 - 6 km/h
Gradeability	50 %
Turning radius - outside	4.5 m
Tires - foam-filled	14-17.5
Engine	31,2 kW - 42,4 hp
Weight	6800 kg

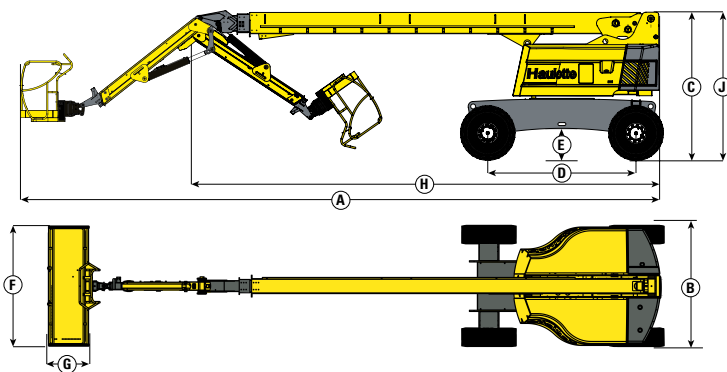


STANDARD EQUIPMENT

- 4 wheel drive
- 5° tilt alarm
- 12 V electrical control system
- 12 V – 95 Ah – 450 A battery
- Load limiter in cage
- Free wheeling device
- horn
- Battery electric emergency control in cage
- Hourmeter
- Slewing block pin
- Towing hooks / lifting eyes
- 2 hooks for safety harnesses in platform

OPTIONS AND ACCESSORIES

- H 16 TPX: larger platform: 2.3 m x 0.8 m
- Power to platform
- Rotating beacon
- Working light
- Motion alarm
- Biodegradable oil
- Catalytic exhaust
- 3.3 kW on-board generator
- Cold weather kit
- Warm environment kit



Authorised Reseller : Shakti Equipments Pvt. Ltd.

Block No. 140, Near Vitawa Octroi Naka, Thane Belapur Road, Vitawa, Thane West - 400 605.

Tel: +91 - 22 - 2542 0127 Email: info@shaktiequipments.com